

0 - CHECK LIST

Coleman

1 - SET UP

- A x 8
- B x 6
- E x 1
- F x 1
- C x 1
- D x 1
- G x 1

2 - SET UP

A

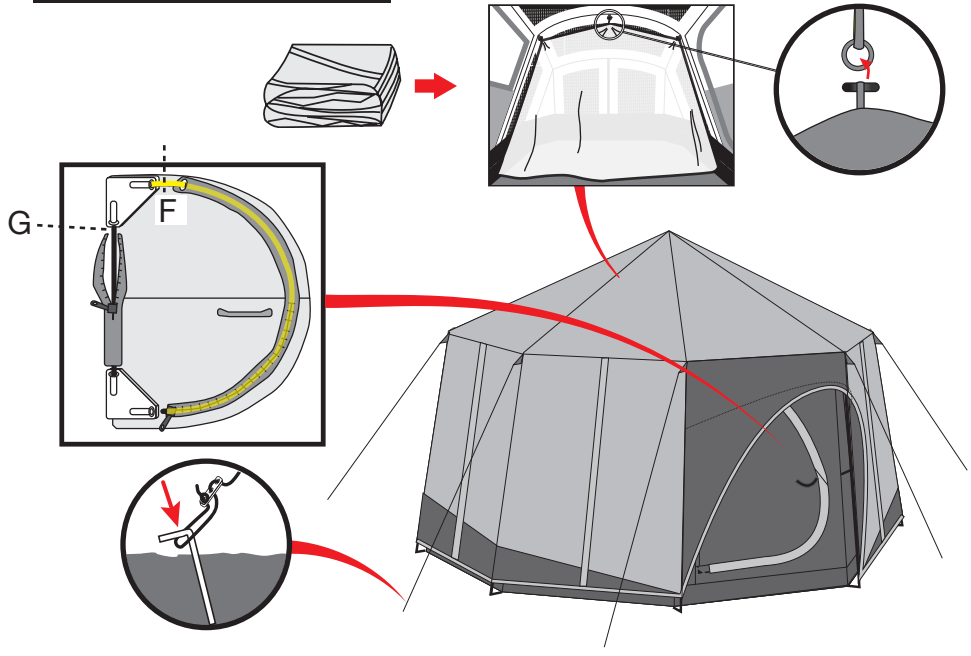
3 - SET UP

A, B, C, D

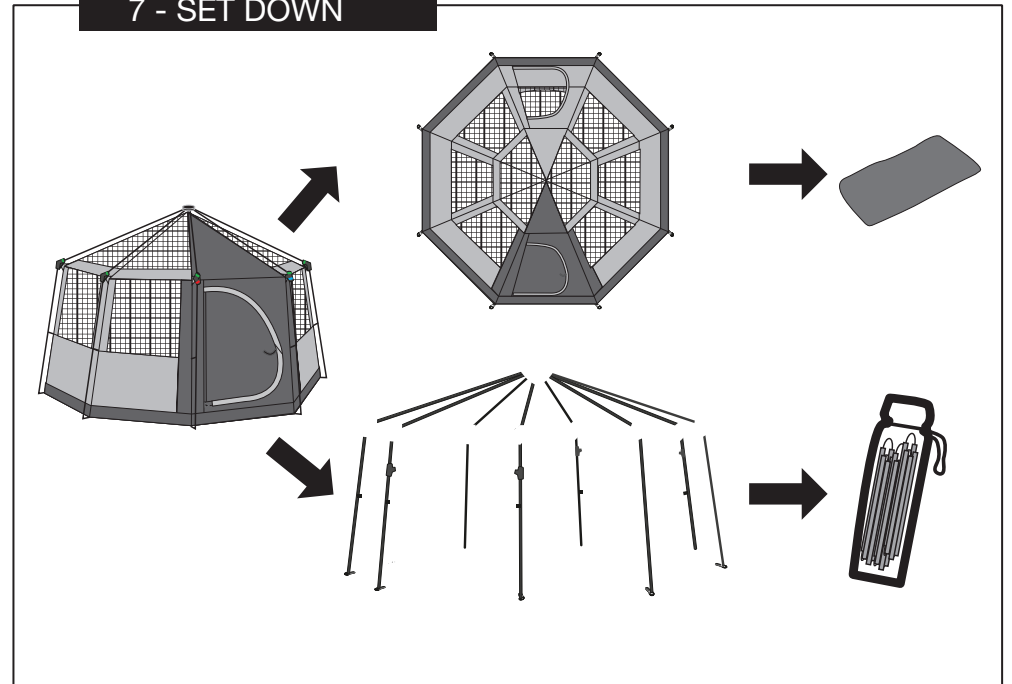
4 - SET UP

A, D, E

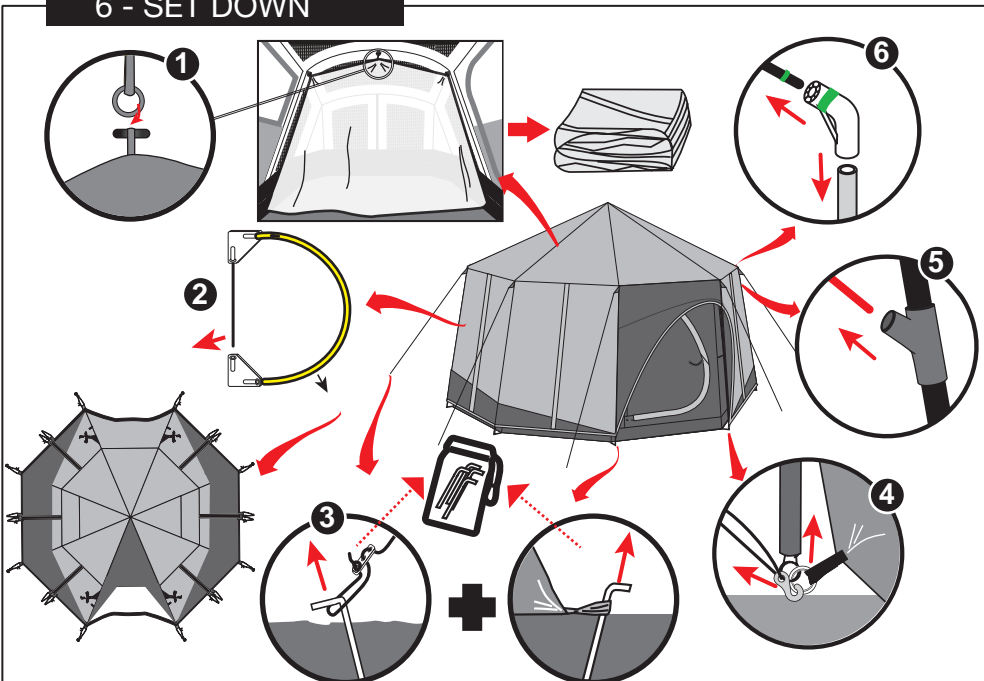
5 - SET UP



7 - SET DOWN



6 - SET DOWN



8 - SET DOWN

